

Plug-in power supply

Features:

- Universal input voltage
- Single output
- Short circuit protection
- Over voltage protection
- Over current protection
- Compact package
- Meet ENERGY STAR 2.0
- Means of patient protection design
- Two years limited warranty

SAFETY AGENCY APPROVALS:



Specifications:	GMPSU05 series:
Input voltage	100~240VAC
Input frequency	50~60Hz(Limits:47~63Hz)
Input current	<0.2A
Safety ground leakage current	<0.1mA
Output voltage	See rating chart
Output current	See rating chart
Output power range	See rating chart
Ripple	See rating chart
Over voltage protection	Yes
Over current protection	Yes
Short circuit protection	Yes
Temperature coefficient	All output±0.04%/°C maximum
Transient response	Maximum excursion of 4% or better on all models. Recovering to 1% of final value within 900n/sec after a 25% step load change
Operating temperature	-20°C ~+40°C
Storage temperature	-40°C ~+85°C
Relative humidity	5% to 95% non-condensing
Derating	Derated from 100% at+40°C linearly to 50% at 70°C
Efficiency	AVG. efficiency 73% min
Hold up time	7m / Sec. minimum
Line regulation	±1% maximum for any input voltage change between input voltage range
Load regulation	±5% variations from minimum to maximum output current.
Insulation resistance	50Mohm minimum from input to output
Inrush current	40A Max @240 VAC/50Hz at 25°C cold start
Withstand voltage	5656VDC from input to output
Mean time between failure	100,000 hours minimum at full load at 25°C ambient
EMI requirements	Meet EN60601-1-2;EN55011;FCC PART 18 CLASS B
Safety requirements	Design refer to UL60601-1 EN60601-1
Warranty	2years

UNIT: mm

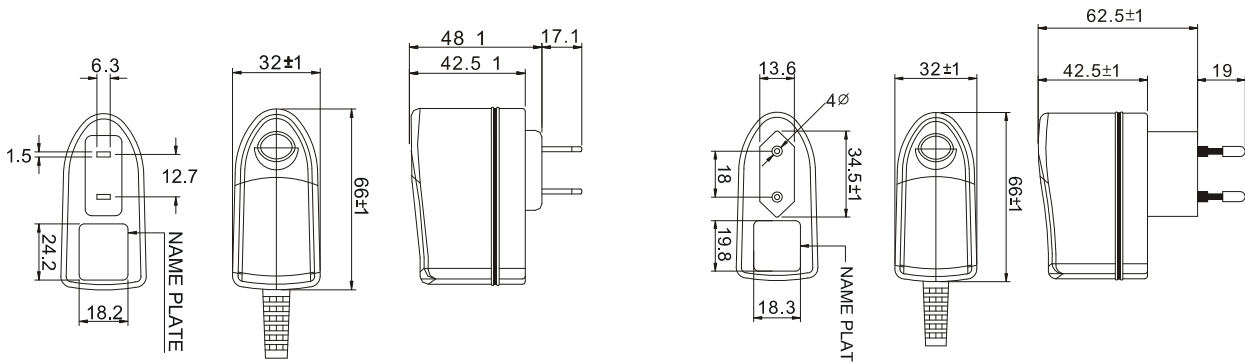
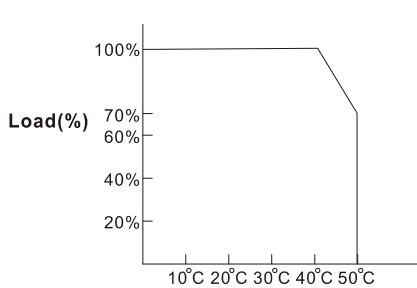
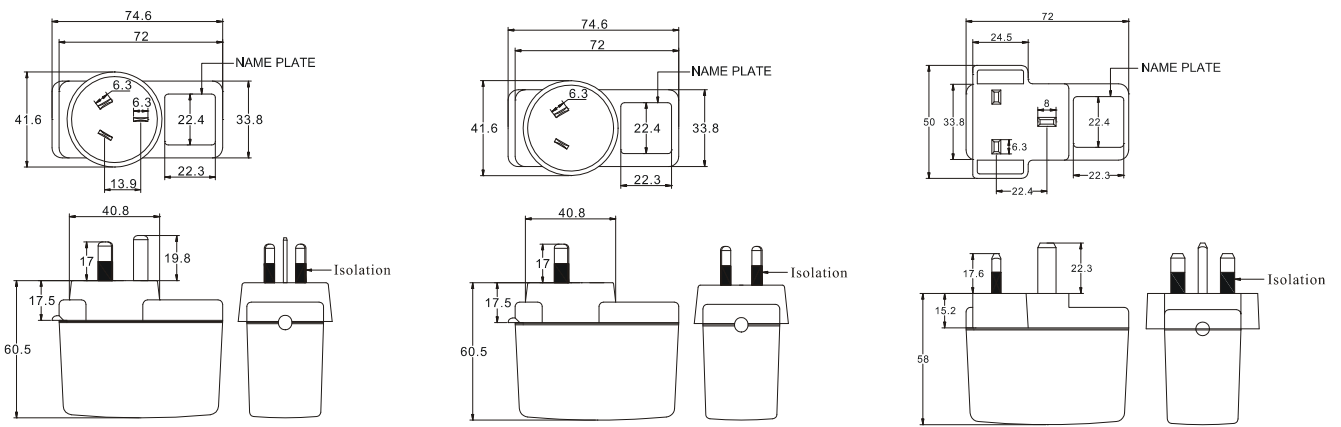


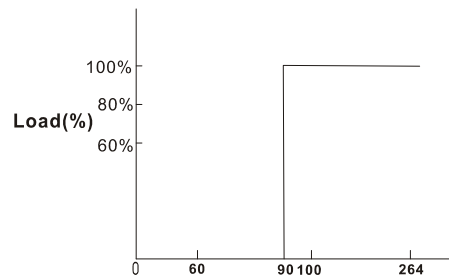
FIG 3 (S)

FIG 4 (SA)

FIG 5 (UK)



Ambient temperature(°C)
Derating



Input Voltage(VAC)
Typical static characteristics

X=U American type (FIG1) or E European type (FIG2) or S 3pin Australian type (FIG3) or SA 2pin Australian type (FIG4) or BS UK type (FIG5)

Model name	Output Voltage(VDC)	Output Current(A)	Max .Output Power (W)	Ripple(mV) Max.	Line Regulation (%)	Load Regulation (%)	Avg. EFF (%)	Measured at the output of
GMPU05X-1	5~6	1.00~0.84	5	50	±0.5	±5	69	5
GMPU05X-1-1	6~8	0.84~0.63	5	50	±0.5	±5	73	7.5
GMPU05X -2	8~11	0.63~0.46	5	70	±0.5	±5	73	9
GMPU05X -3	11~13	0.46~0.38	5	100	±0.5	±5	73	12
GMPU05X -4	13~16	0.38~0.32	5	100	±0.5	±5	73	15
GMPU05X -5	16~21	0.32~0.24	5	100	±0.5	±5	73	18
GMPU05X -6	21~27	0.24~0.19	5	100	±0.5	±5	73	24

Note:

1. Weight: Approx 70~100g
2. Optional output connectors (see page 75)

